

Applications:

Suitable for greenbelts, walking pathways and pedestrian plazas, as well as any other building perimeters requiring a proper light source.

Features

- Show off urban style by the simple shape and the solid material.
- Efficacy higher than 120 lm/W with zero uplight while consumes 45W, 70W, 87W, 130W.
- Increase energy savings with optional motion sensor and photocontrol.
- Optional for single and double arm mounting.
- Install on poles which top diameter limited to 2-3/8" or 3".
- Suitable for installation heights of 8-20 feet.
- 1-10V dimming and projected over 50,000 hrs life span.
- Operating temperature is -40°C to 45°C(-40°F to 113°F).
- UL cUL wet location and DLC premium qualified.

Note: DesignLights Consortium™ Qualified and classified for DLC Premium, refer to www.designlights.org for details.



Round shed light
Glow soft light down. Type V (symmetric) distributions.

Light pole connector
Matching 2 3/8" or 3" diameter round pole. Rugged and durable against vibration.

Lamp foot
Slim and elegant arc is both aesthetical and practical.

Light pole
Provided by others.

CCT & Power Adjustable

3000K	4000K	5000K

45W
70W
87W
130W

PERFORMANCE DATA (@ Single CCT)

SYSTEM WATTS	VOLTAGE	CRI	LUMENS 3000K	LPW 3000K	LUMENS 4000K	LPW 4000K	LUMENS 5000K	LPW 5000K
45W	120-277VAC	70	5400lm	120 lm/W	5450lm	121 lm/W	5500lm	122 lm/W
70W	120-277VAC	70	8400lm	120 lm/W	8450lm	121 lm/W	8500lm	121 lm/W
87W	120-277VAC	70	10500lm	121 lm/W	10600lm	122 lm/W	10600lm	122 lm/W
130W	120-277VAC	70	16000lm	123 lm/W	16300lm	125 lm/W	16300lm	125 lm/W

ADJUSTABLE LUMEN OUTPUT TABLE

SWITCH SETTING	SETTING WATTS	VOLTAGE	CRI	LUMENS 3000K	LPW 3000K	LUMENS 4000K	LPW 4000K	LUMENS 5000K	LPW 5000K
LV1	130W	120-277VAC	70	16000lm	123 lm/W	17200lm	132 lm/W	16300lm	125 lm/W
LV2	87W	120-277VAC	70	11600lm	133 lm/W	12000lm	138 lm/W	11800lm	136 lm/W
LV3	70W	120-277VAC	70	9700lm	139 lm/W	10000lm	143 lm/W	9900lm	141 lm/W
LV4	45W	120-277VAC	70	6500lm	144 lm/W	6700lm	149 lm/W	6600lm	147 lm/W

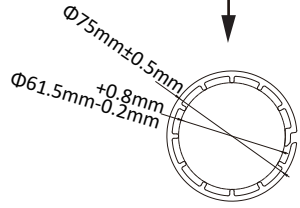
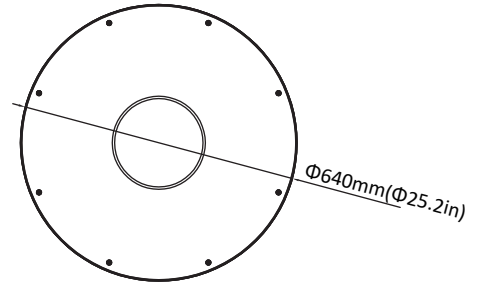
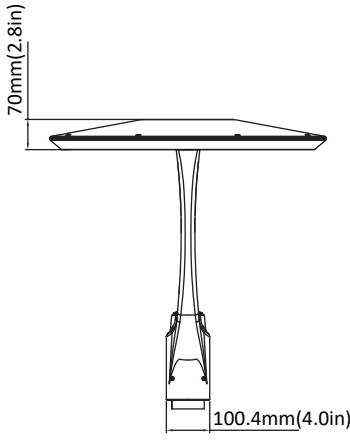
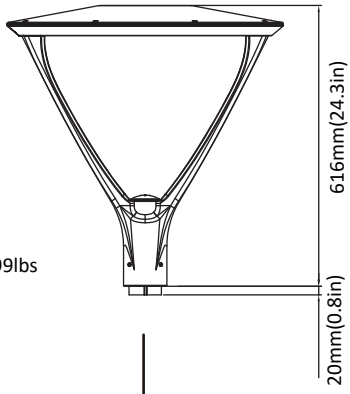
ELECTRICAL DATA

Number Of Drivers	Driver Current (mA)	Nominal Power (W)	INPUT VOLTAGE (V)	CURRENT (Amps)
1	1120	45	120	0.38
		45	208	0.22
		45	240	0.19
		45	277	0.16
1	1750	70	120	0.58
		70	208	0.34
		70	240	0.29
		70	277	0.25
2	2240	87	120	0.73
		87	208	0.42
		87	240	0.36
		87	277	0.31
2	3500	130	120	1.08
		130	208	0.63
		130	240	0.54
		130	277	0.47

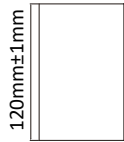
DIMENSION

unit: inch/mm

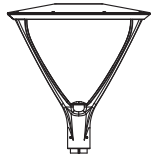
Net weight:
130W: 25.699lbs



Pole Sleeve

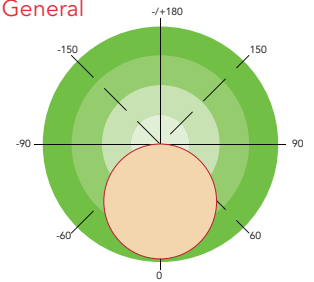


EPA OF POST TOP

Item	
EPA	0.9696

PHOTOMETRICS

General



ORDERING GUIDE

Example: RPL01 70W 27V 50K D

Fixture Type	Power Consumption	Voltage	CCT	Finish	Photocell (Option)	Sensor (Option)	Photometry	Internal Code
<input type="checkbox"/>	<input type="checkbox"/>	<input type="checkbox"/>	<input type="checkbox"/>	<input type="checkbox"/>	<input type="checkbox"/>	<input type="checkbox"/>	<input type="checkbox"/>	<input type="checkbox"/>
RPL 01 Post Top Light	45W 70W 87W 130W	27V 120-277V	DDK Adjustable color temperature 40K 4000K 50K 5000K	D Dark Bronze B Black W White	P0 120-277V Photocell Blank Without Photocell	M With Motion Sensor Blank Without Sensor	Blank General Photometry	Blank Alphanumeric

Note: Only 130W optional for DDK.